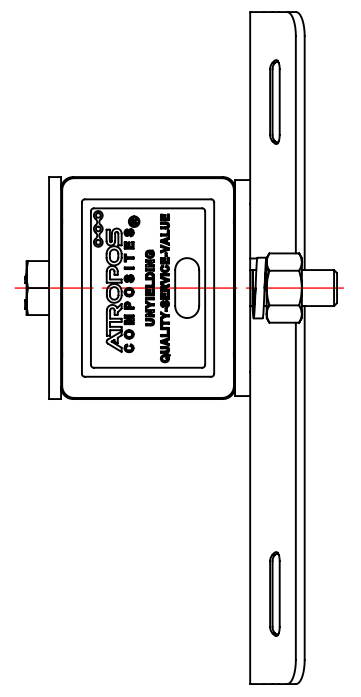
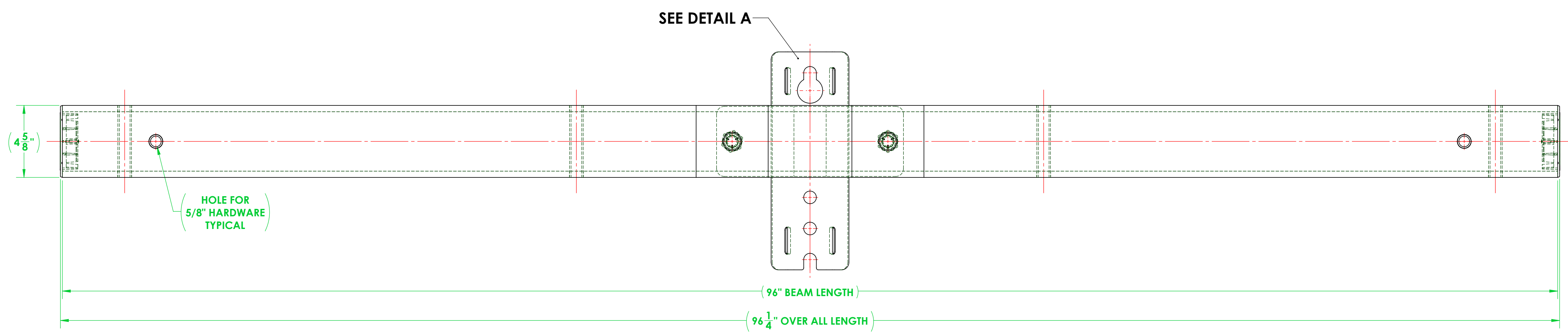
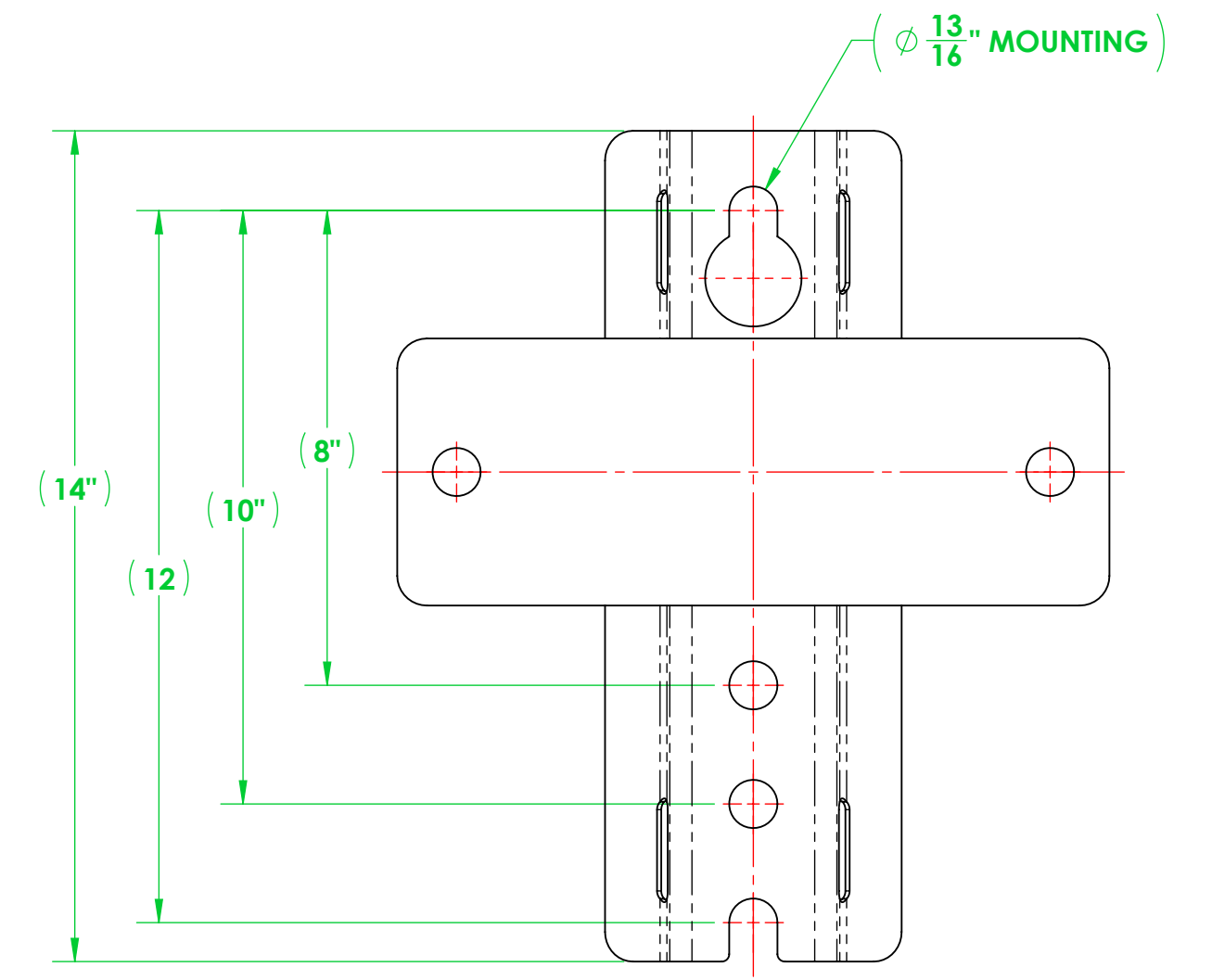
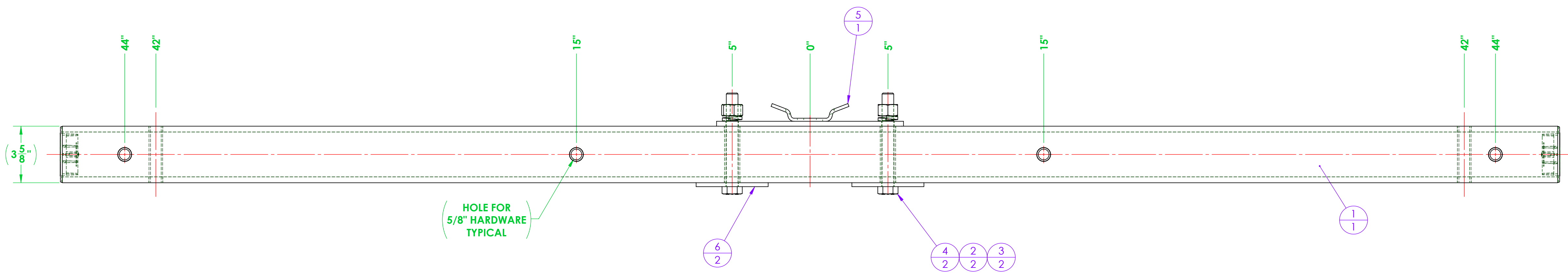


REVISIONS			
REV.	DESCRIPTION	DATE	APPROVED
-			



ITEM NO.	PART NUMBER	DESCRIPTION	QTY.
1	3403A096-T011-XR03 CA	ASSEMBLY, RUS, 3403 TANGENT CROSSARM, 8' LONG TYPE 3 DRILL PATTERN	1
2	A616-0042-01	LOCK WASHER, FOR 3/4" SCREW, 0.766" ID, 1.265" OD, 0.188" THICK, HOT-DIPPED GALVANIZED STEEL	2
3	A616-0019-02	EXTREME STRENGTH NUT, HEX, 3/4"-10, 2H, HOT-DIPPED GALVANIZED	2
4	A616-0020-02	BOLT, HEX, 3/4"-10 X 6.00" LONG, HOT DIPPED GALVANIZED STEEL, 1-1/8" DRIVE	2
5	A700-0042	CROSSARM MOUNTING BRACKET, TANGENT, 3400 SERIES	1
6	A700-0047	WASHER, SQUARE, 4.625" X 4.625" X 0.25 THICK WITH 0.81 THRU HOLE	2

GENERAL NOTES

UNLESS OTHERWISE SPECIFIED	NAME	DATE
DIMENSIONS ARE IN INCHES	DRAWN: F. BRYANT	10/13/2025
STANDARD TOLERANCES	CHECKED: TJS	10/21/2025
FRACTIONAL: ±1/32	ENG APPR:	
ANGULAR: MACHINED: ±0.5° BEND: ±2°	MFG APPR:	
TWO PLACE DECIMAL: ±0.03	Q.A.:	
THREE PLACE DECIMAL: ±0.005		
INTERFERE GEOMETRIC TOLERANCING PER ANSI Y14.5		
MATERIAL		
FINISH		
DO NOT SCALE DRAWING		


  
 12208 MISSOURI BOTTOM ROAD, HAZELWOOD, MO 63042
   
 PHONE: 314.714.4001 FAX: 314.895.1943
   
 SALES@LABYRINTH-TECH.COM

TITLE: ASSEMBLY, RUS, 3403, TANGENT CROSSARM WITH GAIN, 8' TYPE 3 DRILL PATTERN

SIZE DWG. NO. **D 3403A096-T011-XR03** REV -

SCALE: 1:8 WEIGHT: 69.44 SHEET 1 OF 1